

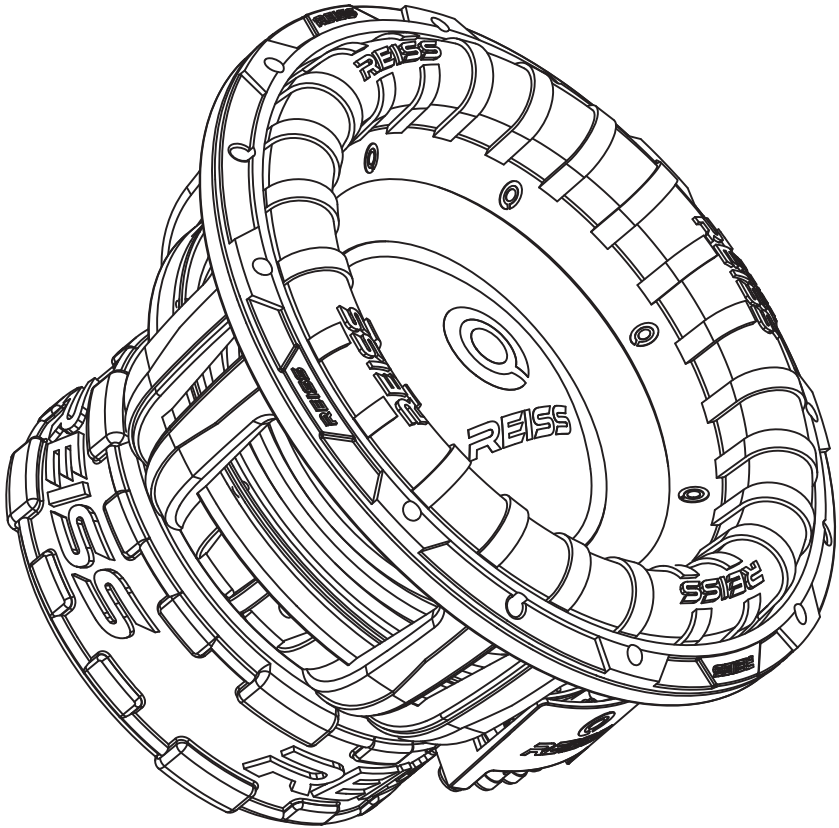


OWNER'S MANUAL

RS-QX15.02

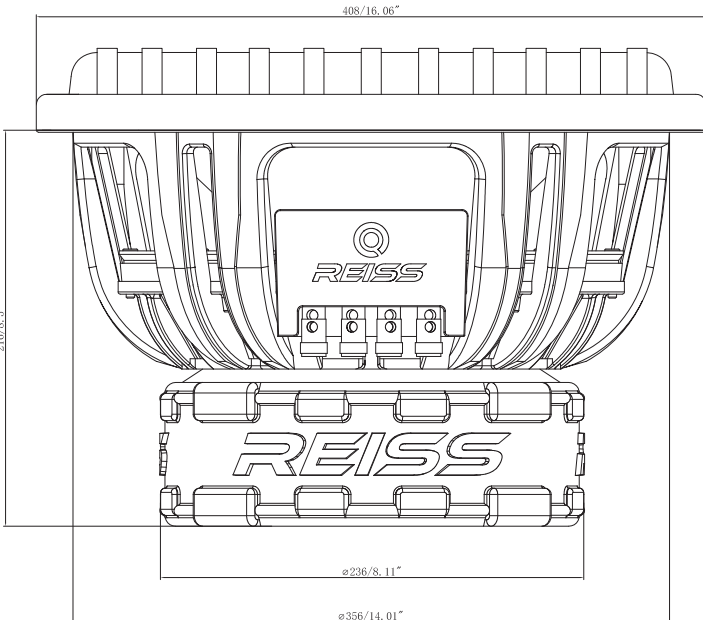
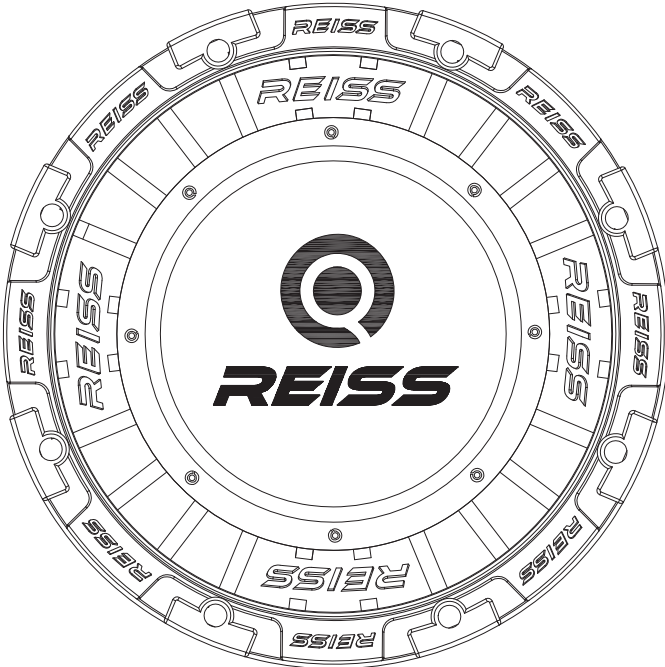
15" COMPETITION
HIGH POWER SUBWOOFER

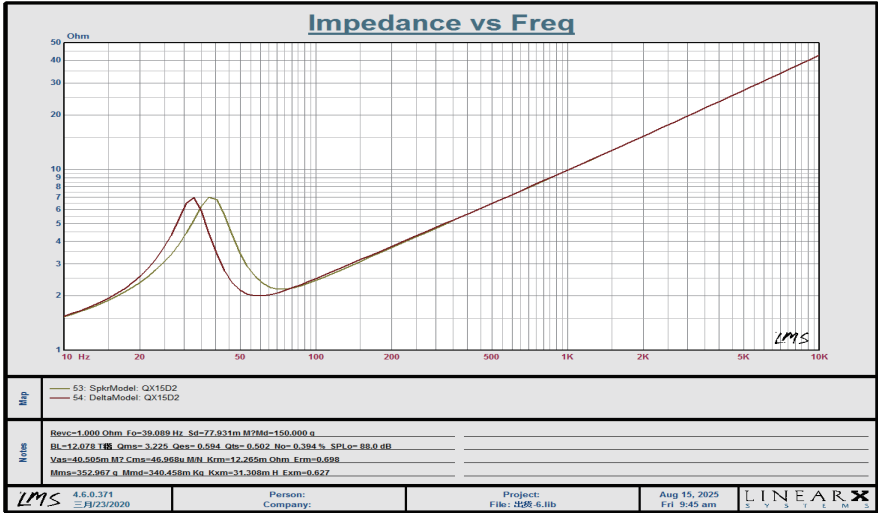
2+2 Ω



Turkish Engineering Since 1985

RS-QX15.D2





SPECIFICATIONS

| | |
|---------------------------------------|--------------|
| Nominal Diameter / | 15" / 408 mm |
| Nominal Impedance / | 2+2 OHMS |
| RMS Power Handling / | 2200 Watts |
| MAX Power Handling / | 4400 Watts |
| Sensitivity (1w/1m) / | 88.0 dB |
| Frequency Response / | 32Hz - 500Hz |
| Recommended Lo Pass Crossover / | 70 Hz |

MOTOR

| | |
|------------------------------------|--|
| Voice Coil Diameter / | 3" / 76.5 mm |
| Voice Coil Former Material / | Black Aluminum |
| Winding Material / | APISV |
| Cone Material / | Carbon Fiber |
| Dust Cap Material / | Carbon Fiber |
| Surround Material / | Foam |
| Basket Material / | Aluminum |
| Basket Color Finish / | Black wrinkle Coating with Machined Aluminum |
| Magnet Material / | Ferrite |
| Magnet Weight / | 279 Oz |

THIELE & SMALL PARAMETERS

| | | |
|-------------------------------|-----------|-------------------------------|
| Equivalent Volume / | Vas | 40.5L / 1.430 ft ³ |
| Free Air Resonance / | Fs | 39.0 Hz |
| Mechanical Factor / | Qms | 3.22 |
| Electrical Factor / | Qes | 0.594 |
| Total Factor / | Qts | 0.502 |
| Moving Mass / | Mms | 352.96 g |
| Compliance / | Cms | 0.046 mm/N |
| BI Factor / | BI | 12.07 |
| Voice Coil Inductance / | Le | 0.627 mH |
| Diaphragm Area / | Sd | 779.31 cm ² |
| DC Resistance / | Re | 1.8+1.8 OHM |

MEASUREMENT

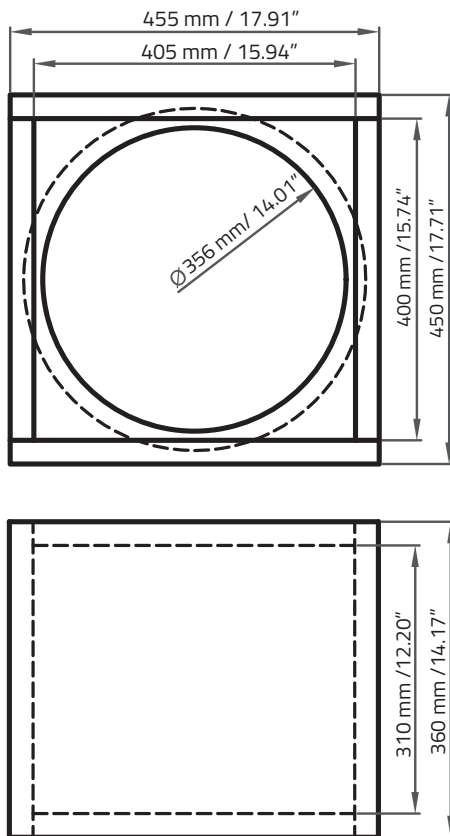
| | |
|------------------------------------|-----------------|
| Overall Diameter / | 16.06" / 408 mm |
| Overall Depth / | 10.23" / 260 mm |
| Front Mount Baffle Cutout. / | 14.01" / 356 mm |
| Mounting Depth / | 8.50" / 216 mm |
| Motor Diameter / | 8.66" / 220 mm |

RECOMMENDED ENCLOSURES

| | |
|--------------------------------------|--|
| Sealed Internal Volume / | 50L / 1.77 ft ³ |
| Sealed Box Output Response / | 52 Hz |
| Ported Internal Volume / | 80L / 2.83 ft ³ |
| Port Size *Square (WxHxLong) / | 3.15" x 15.74" x 10.23" / 80 mm x 400 mm x 260 mm |
| Port Tuning Frequency / | 32 Hz |
| Ported Box Output Response / | 27.5 Hz |

RECOMMENDED BOX DIMENSION

SINGLE SUBWOOFER SEALED BOX



PARAMETERS

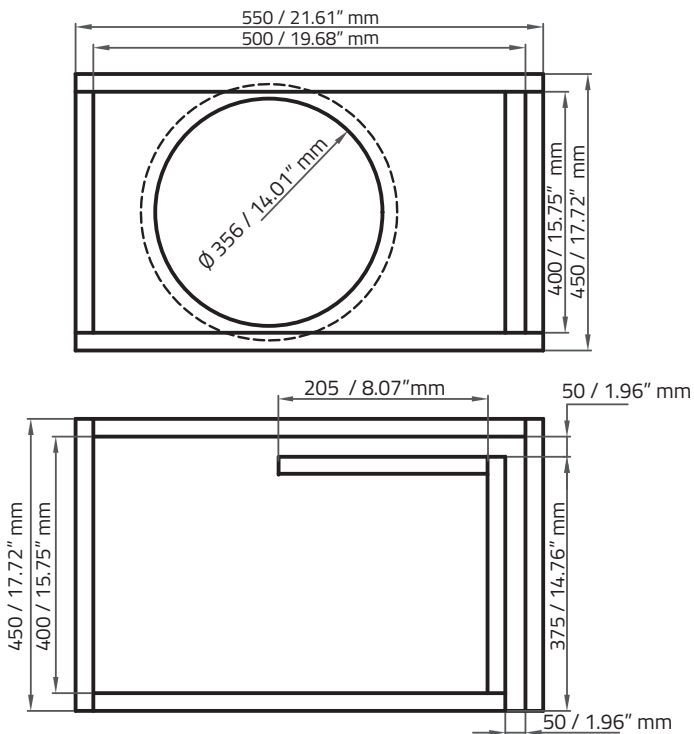
Box External Dimensions:

(WxHxD): 17.91"x 17.71"x 14.2" /

455 mm x 450mm x 360mm

Material Thickness: 0.98" / 25mm

Net Internal Volume: 1.77 ft³ / 50 L

SINGLE SUBWOOFER PORTED BOX**PARAMETERS**

Box External Dimensions:

(WxHxD): 21.61" x 17.72" x 17.72" /
550 mm x 450 mm x 450 mm

Material Thickness: 0.98" / 25mm

Net Internal Volume: 2.83 ft³ / 80 L

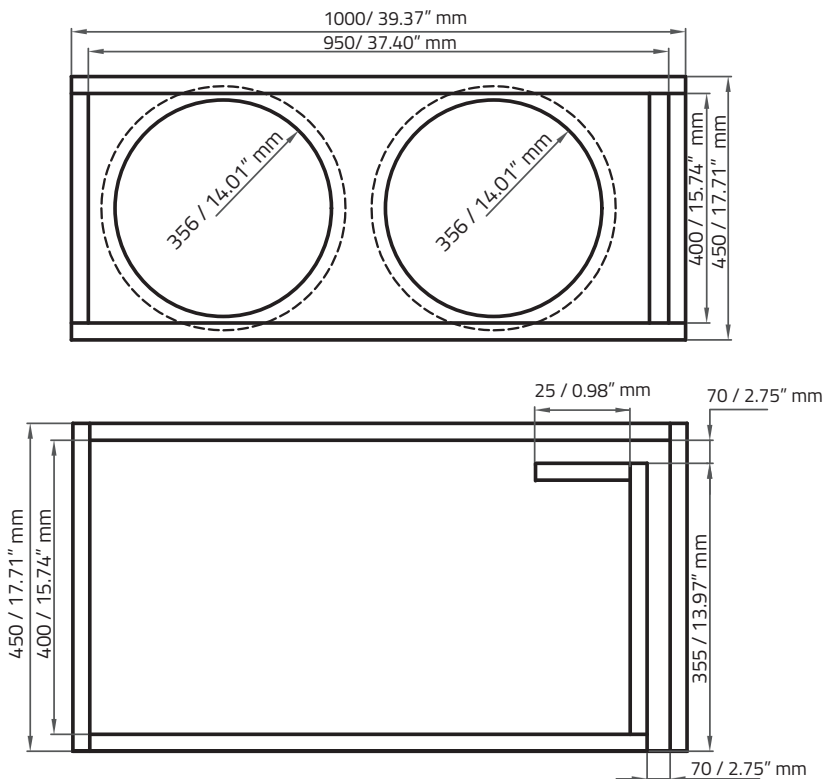
Tuning Frequency: 32 Hz

Port Area: 30.87 inch² / 200 CM²

Port Intel: 1.96" x 15.75"

Port Length: 22.83" / 580 mm

DOUBLE SUBWOOFER PORTED BOX



PARAMETERS

Box External Dimensions:

(WxHxD): 33.46" x 15.35" x 13.38" /
1000 mm x 390 mm x 340 mm

Material Thickness: 0.98" / 25mm

Net Internal Volume: 5.3 ft³ / 152L

Tuning Frequency: 32 Hz

Port Area: 43.28 inch² / 283 CM²

Port Intel: 2.75" x 15.74"

Port Length: 14.96" / 380 mm



**FOR MORE INFORMATION
PLEASE VISIT
www.reissaudio.com.tr**

Turkish Engineering Since 1985

REİS ELEKTRONİK SANAYİ VE TİCARET A.Ş
İstoç Toptancılar Sitesi 15. Ada No:1-3-5-7
Mahmutbey Bağcılar / İstanbul - TÜRKİYE