

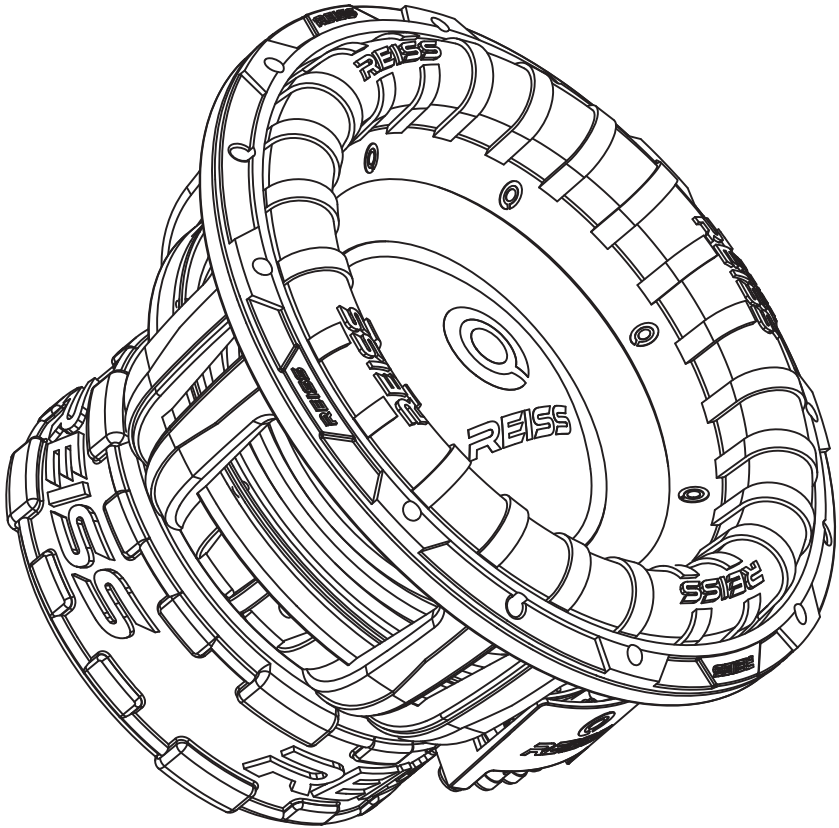


## OWNER'S MANUAL

**RS-QX15.04**

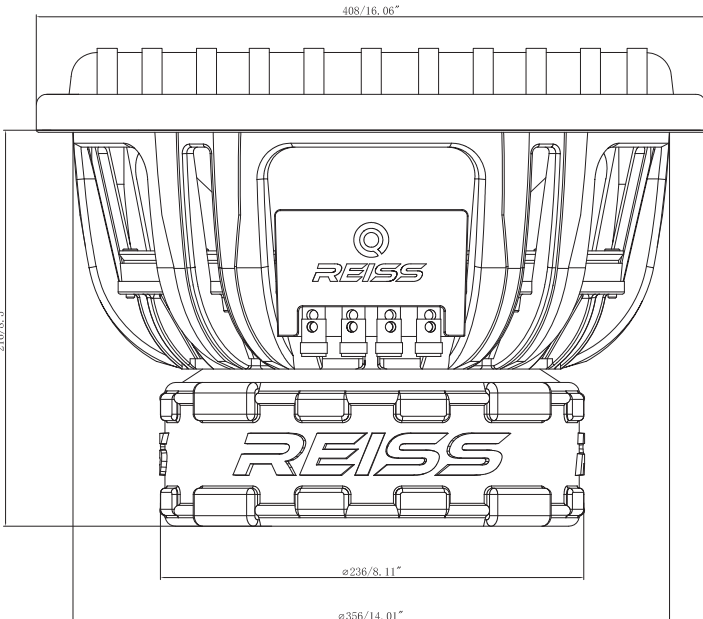
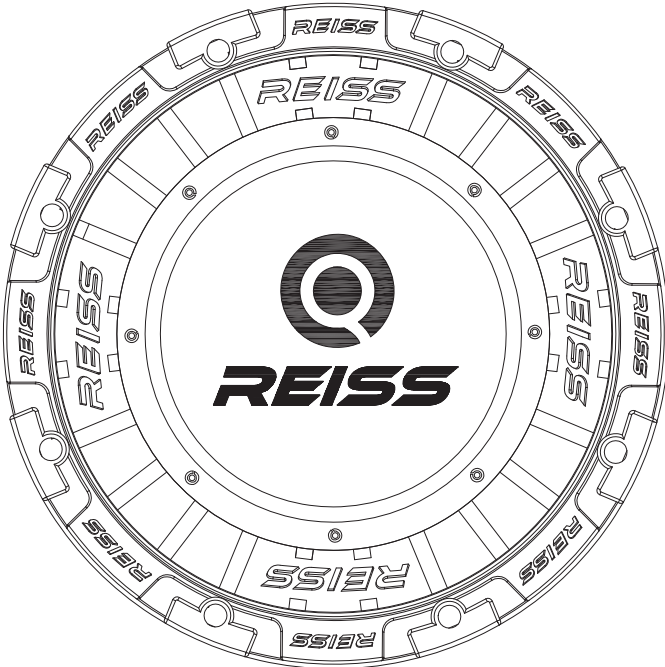
15" COMPETITION  
HIGH POWER SUBWOOFER

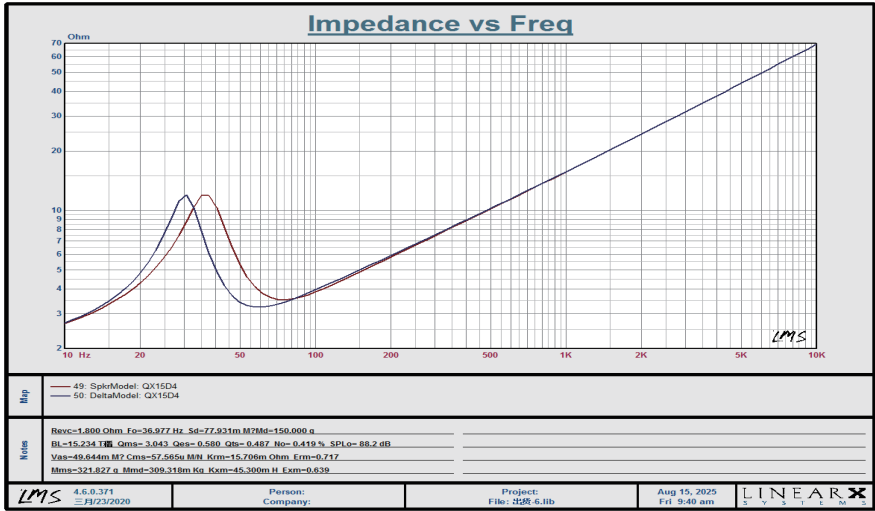
4+4  $\Omega$



Turkish Engineering Since 1985

# RS-QX15.D4





## SPECIFICATIONS

Nominal Diameter / ..... 15" / 408 mm  
 Nominal Impedance / ..... 4+4 OHMS  
 RMS Power Handling / ..... 2200 Watts  
 MAX Power Handling / ..... 4400 Watts  
 Sensitivity (1w/1m ) / ..... 88.2 dB  
 Frequency Response / ..... 32Hz - 500Hz  
 Recommended Lo Pass Crossover / ..... 70 Hz

## MOTOR

Voice Coil Diameter / ..... 3" / 76.5 mm  
 Voice Coil Former Material / ..... Black Aluminum  
 Winding Material / ..... APISV  
 Cone Material / ..... Carbon Fiber  
 Dust Cap Material / ..... Carbon Fiber  
 Surround Material / ..... Foam  
 Basket Material / ..... Aluminum  
 Basket Color | Finish / ..... Black wrinkle Coating with Machined Aluminum  
 Magnet Material / ..... Ferrite  
 Magnet Weight / ..... 279 Oz

## THIELE & SMALL PARAMETERS

Equivalent Volume / .....	Vas .....	49.6L / 1.75 ft <sup>3</sup>
Free Air Resonance / .....	Fs .....	36.9 Hz
Mechanical Factor / .....	Qms .....	3.04
Electrical Factor / .....	Qes .....	0.580
Total Factor / .....	Qts .....	0.487
Moving Mass / .....	Mms .....	321.80 g
Compliance / .....	Cms .....	0.057 mm/N
BI Factor / .....	BI .....	15.23
Voice Coil Inductance / .....	Le .....	0.639 mH
Diaphragm Area / .....	Sd .....	779.31 cm <sup>2</sup>
DC Resistance / .....	Re .....	3.6+3.6 OHM

## MEASUREMENT

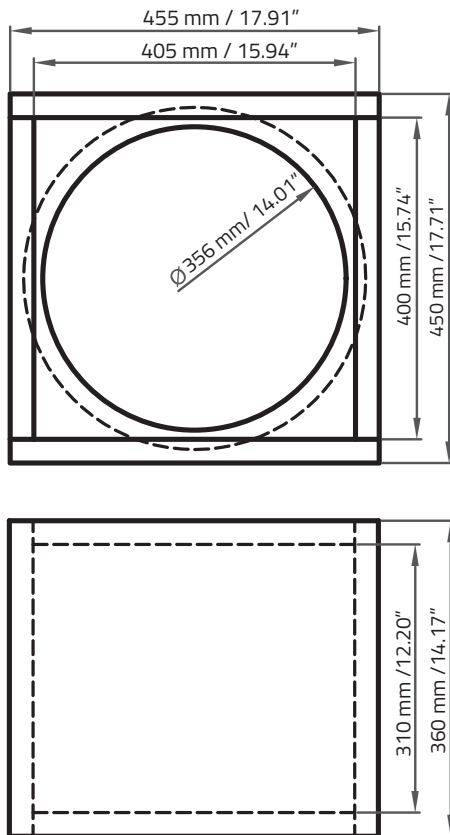
Overall Diameter / .....	16.06" / 408 mm
Overall Depth / .....	10.23" / 260 mm
Front Mount Baffle Cutout. / .....	14.01" / 356 mm
Mounting Depth / .....	8.50" / 216 mm
Motor Diameter / .....	8.66" / 220 mm

## RECOMMENDED ENCLOSURES

Sealed Internal Volume / .....	50L / 1.77 ft <sup>3</sup>
Sealed Box Output Response / .....	52 Hz
Ported Internal Volume / .....	80L / 2.83 ft <sup>3</sup>
Port Size *Square (WxHxLong) / .....	3.15" x 15.74" x 10.23" / 80 mm x 400 mm x 260 mm
Port Tuning Frequency / .....	32 Hz
Ported Box Output Response / .....	27.5 Hz

## RECOMMENDED BOX DIMENSION

### SINGLE SUBWOOFER SEALED BOX



## PARAMETERS

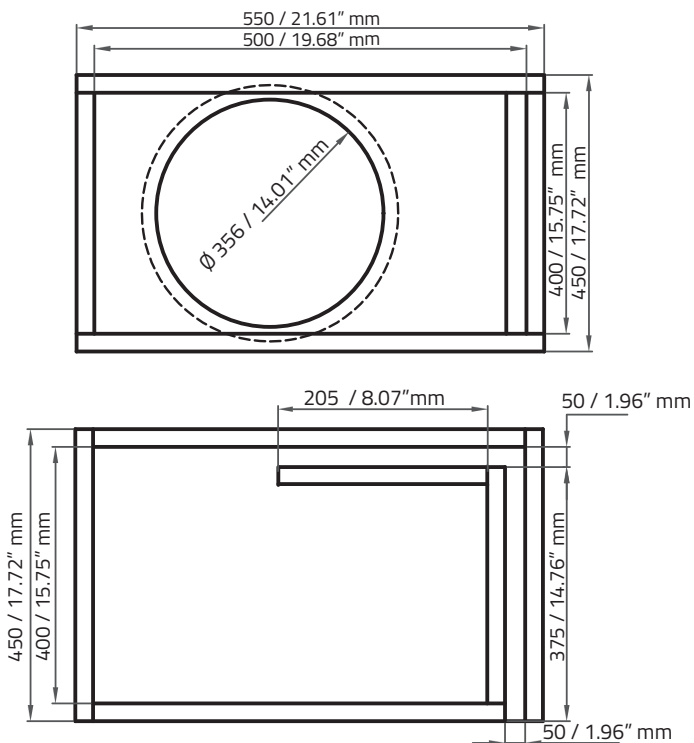
Box External Dimensions:

(WxHxD): 17.91"x 17.71"x 14.2" /

455 mm x 450mm x 360mm

Material Thickness: 0.98" / 25mm

Net Internal Volume: 1.77 ft<sup>3</sup> / 50 L

**SINGLE SUBWOOFER PORTED BOX****PARAMETERS****Box External Dimensions:**

(WxHxD): 21.61" x 17.72" x 17.72" /  
550 mm x 450 mm x 450 mm

Material Thickness: 0.98" / 25mm

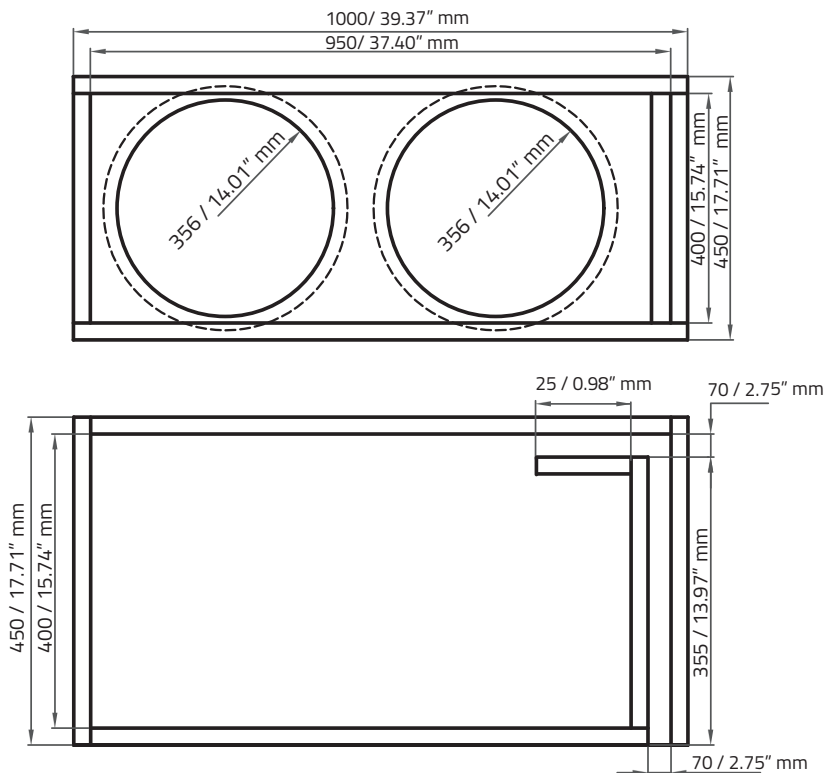
Net Internal Volume: 2.83 ft<sup>3</sup> / 80 L

Tuning Frequency: 32 Hz

Port Area: 30.87 inch<sup>2</sup> / 200 CM<sup>2</sup>

Port Intel: 1.96" x 15.75"

Port Length: 22.83" / 580 mm

**DOUBLE SUBWOOFER PORTED BOX****PARAMETERS****Box External Dimensions:**

(WxHxD): 33.46" x 15.35" x 13.38" /  
1000 mm x 390 mm x 340 mm

Material Thickness: 0.98" / 25mm

Net Internal Volume: 5.3 ft<sup>3</sup> / 152L

Tuning Frequency: 32 Hz

Port Area: 43.28 inch<sup>2</sup> / 283 CM<sup>2</sup>

Port Intel: 2.75" x 15.74"

Port Length: 14.96" / 380 mm



**FOR MORE INFORMATION  
PLEASE VISIT  
[www.reissaudio.com.tr](http://www.reissaudio.com.tr)**

**Turkish Engineering Since 1985**

REİS ELEKTRONİK SANAYİ VE TİCARET A.Ş  
İstoç Toptancılar Sitesi 15. Ada No:1-3-5-7  
Mahmutbey Bağcılar / İstanbul - TÜRKİYE