

Model: RS-VX6

16CM 2 Way Coaxial Speaker



SPECIFICATIONS

General Data

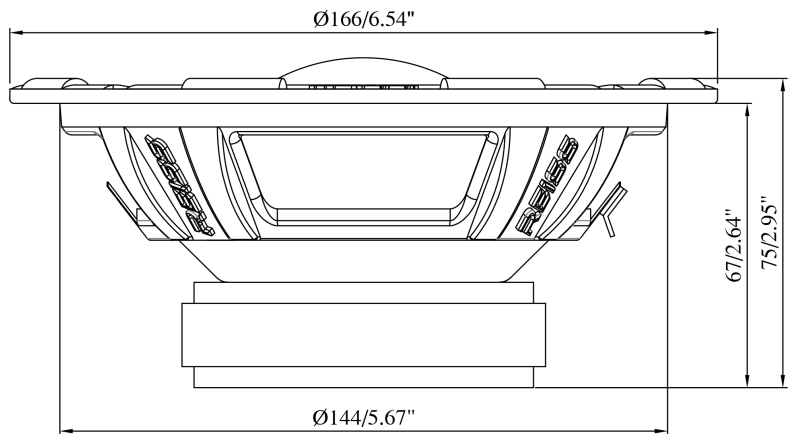
Unit

FEATURES

Overall Dimensions	Ø166 x75	mm
Nominal Power Handling	80	W
Maximum Power	160	W
Sensitivity	90	dB
Frequency Response	80~20000	Hz
Cone Material	PP	
Basket	Steel	
Net Weight	1	kg

Steel Basket
Plated Injection PP Cone With Surround
1" VC Dome Tweeter
High Temperature Voice Coil,
Ferrite Magnet Structure

Dimensions



Electrical Data

Nominal Impedance	4	Ohm
DC Resistance	3.2	Ohm

Voice Coil and Magnet Parameters

Voice Coil Diameter	25.9	mm
Voice Coil Height	11	mm
Magnetic Gap Height	5	mm
Voice Coil Robbin	Kapton	
Number of Layers	2L	

T-S Parameters

Suspension Compliance	490.781µM/N	Cms
Mechanical Q Factor	7.769	Qms
Electrical Q Factor	0.703	Qes
Total Q Factor	0.645	Qts
Moving Mass	11.054g	Mms
Eq. Cas AIR Loaded	13.038L	Vas
Resonant Frequency	68.332HZ	Fs
Effective Piston Area	136.78cm ²	SD

