



REISS AUDIO

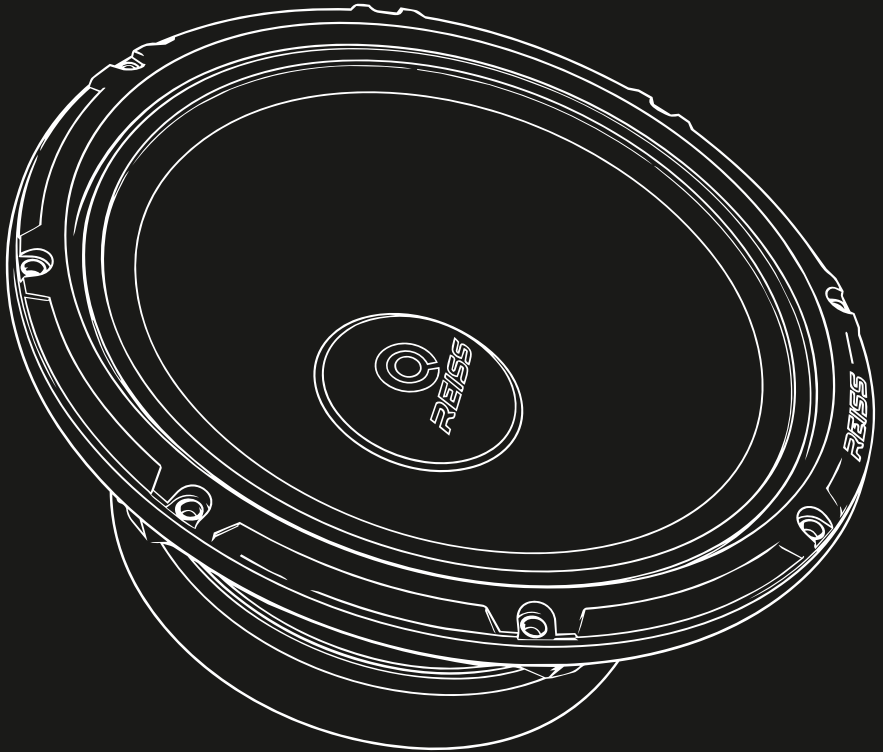
your car hifi specialist

OWNER'S MANUAL

RS.M86AX

20CM MIDRANGE

4 Ω



Since 1985

TURKISH ENGINEERING

SPECIFICATIONS

Nominal Diameter	8.32"/211.5 mm
Nominal Impedance	4 OHMS
RMS Power Handling	300 Watts
MAX Power Handling	600 Watts
Sensitivity(1w/1m)	97db
Frequency Response	110~10KHZ
Recommended Lo Pass Crossover	110HZ
Pair or Single	Pair

MOTOR

Voice Coil Diameter	1.7"/44.7mm
Voice Coil Former	Kapton
Winding Material	Copper
Cone Material	Paper
Surround Material	Cloth
Magnet Material	Ferrite
Magnet Weight	47.3oz
Basket Material	Aluminum
Basket Color / Finish	Black

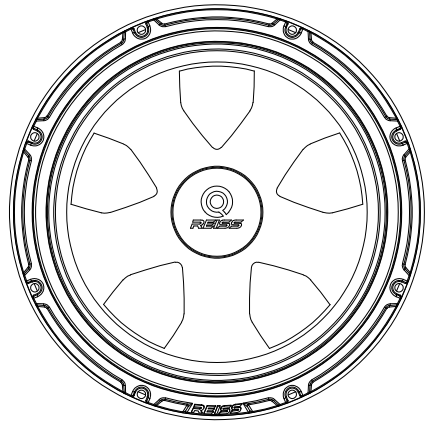
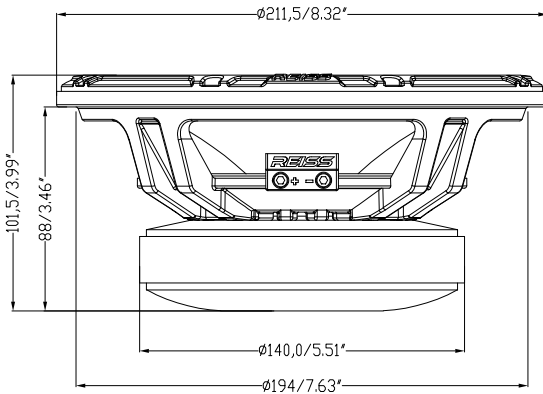
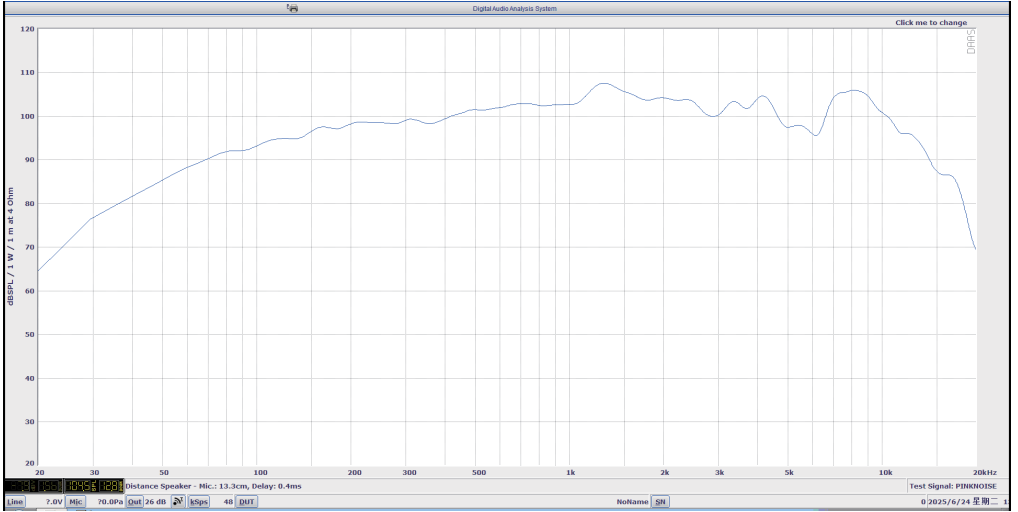
THIELE & SMALL PARAMETERS

Vas	10.2L
Xmax	1.75 mm
Fs	106 Hz
Qms	4.68
Qes	0.44
Qts	0.4
Mms	14.3
Cms	0.13MM
BL	8.4TM
Le	140.786uH
Sd	232.4 cm2
Re	3.0 Ohms

MEASUREMENTS

Overall Diameter	211.5 mm/8.32"
Overall Depth	101.5mm/3.99"
Front Mount Baffle Cutout	Ø194/7.63"
Mounting Depth	88m/3.46"
Motor Diameter	Ø140mm/5.51"

RS-M86AX





**FOR MORE INFORMATION
PLEASE VISIT
www.reissaudio.com.tr**

Turkish Engineering Since 1985

REİS ELEKTRONİK SANAYİ VE TİCARET A.Ş
İstoç Toptancılar Sitesi 15. Ada No:1-3-5-7
Mahmutbey Bağcılar / İstanbul - TÜRKİYE